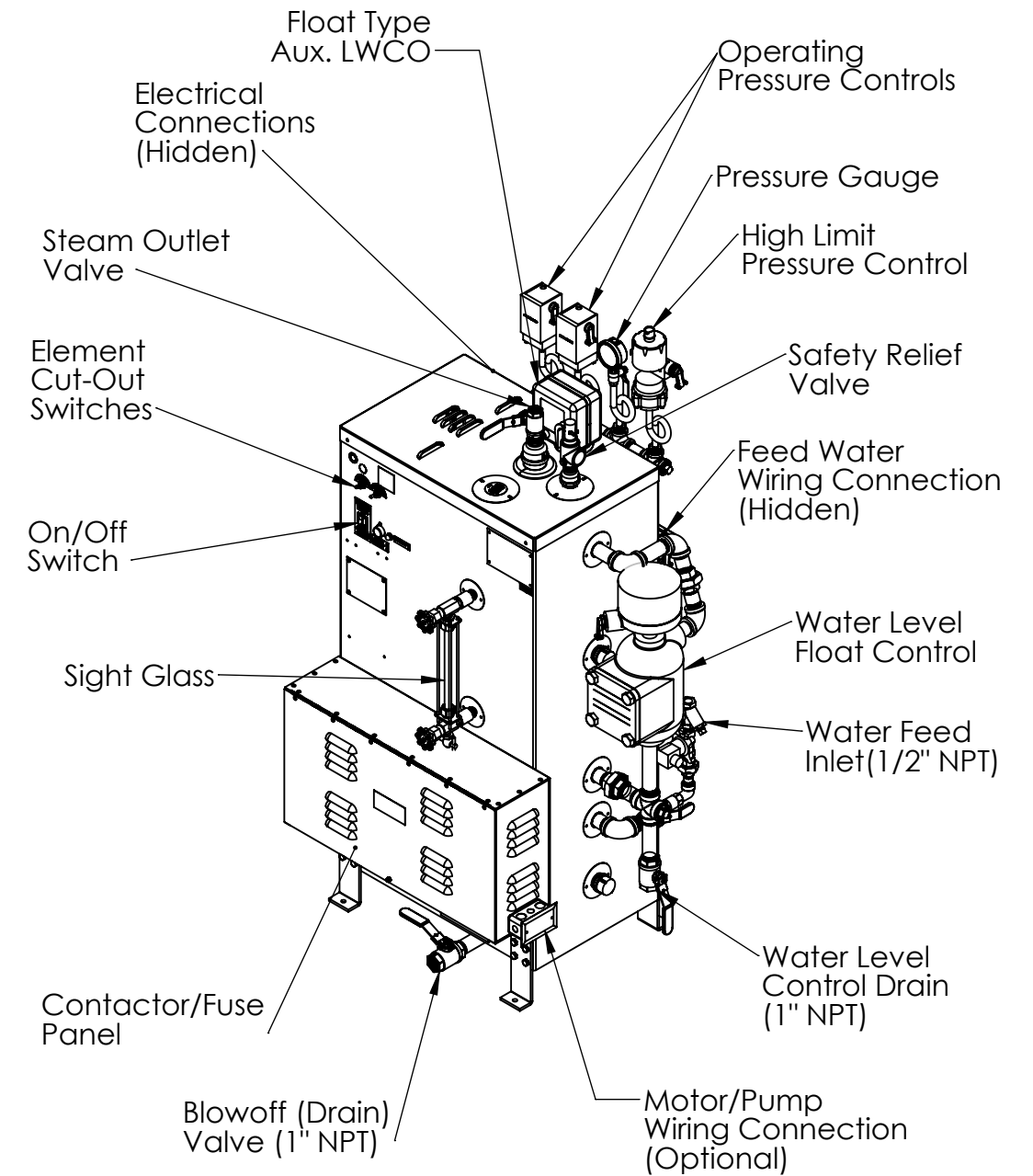
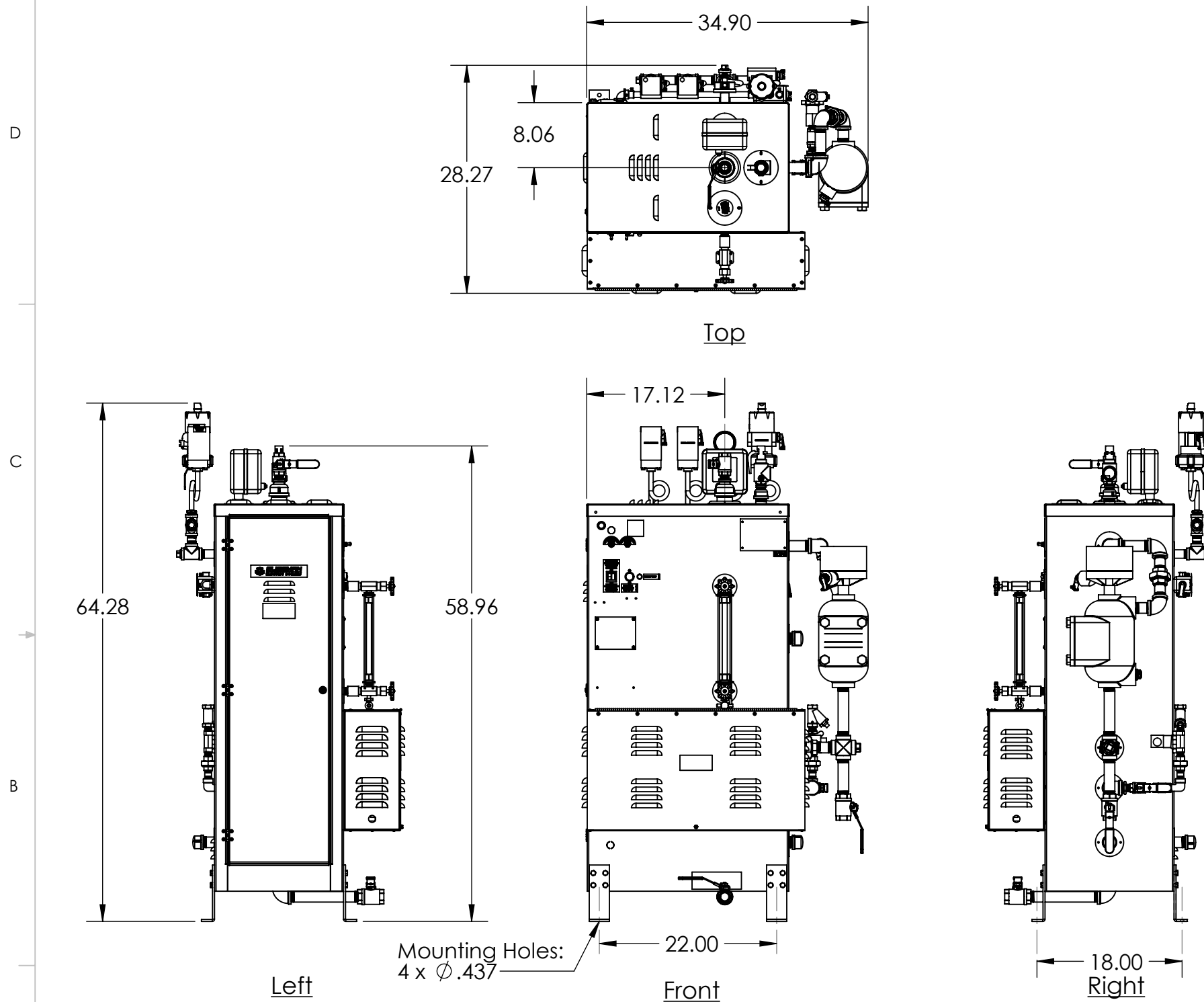


Rev.	Date	ECN	Desc.	Auth.
1	9/29/2020	xxxx	Initial Drawing	EZ

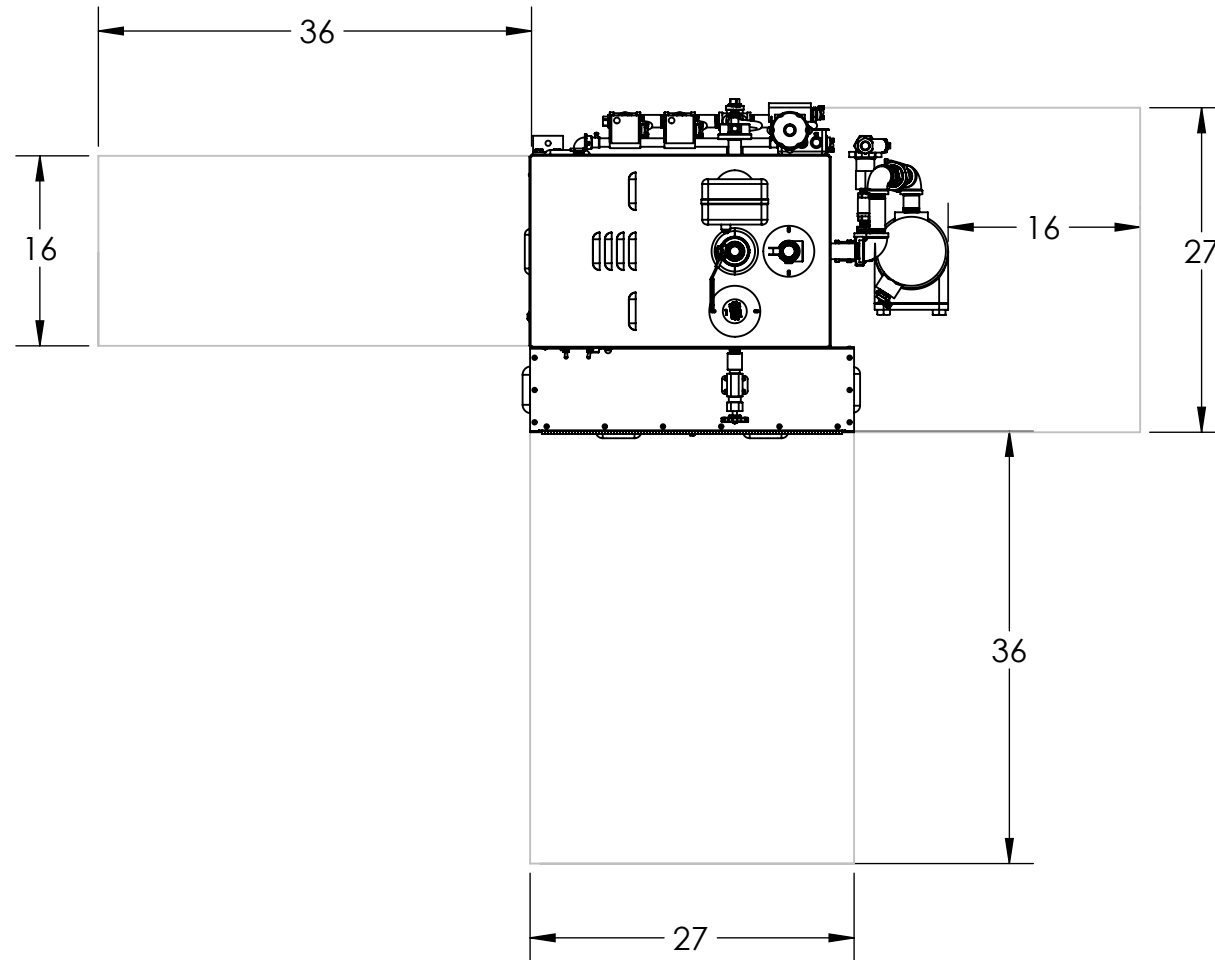


Notes:

- For SSB85 to SSB100, 15, 50, and 100psi trims, 380V, 415V, 480V, &600V, 3ph
- Boiler is UL listed to standard 834
- Materials of construction:
 - Vessel and Piping: Stainless Steel
 - Jacket: Stainless Steel
- Pressure vessel built in accordance with ASME Section 1 and carries an "M" stamp
- Completed boiler is built in accordance with ASME Section 1 and carries an "E" Stamp
- Refer to Technical Data Sheet at www.sussmanboilers.com for more information

NAME	DATE	SUSSMAN-AUTOMATIC CORPORATION	
DRAWN EZ	9/29/20	43-20 34TH STREET, LONG ISLAND CITY, NEW YORK 11101	
ENG APPR. X	X	TITLE:	
DIMENSIONS ARE IN INCHES TOLERANCES: (EXCEPT AS NOTED) FRACTIONAL \pm 1/64 ANGULAR: \pm 1°		SSB85-100 Electric Steam Boiler,	
		15psi, 50psi. and 100psi, 380V,	
		SIZE	DWG. NO.
		B	SSB85-SSB100
		SCALE: 1:16	SHEET 1 OF 2

Service Clearance Requirements



- Notes:
1. Minimum 1" clearance to all combustible materials
 2. Service clearances to be in conformance to NEC requirements

Rev.	Date	ECN	Desc.	Auth.
1	9/29/2020	xxxx	Initial Drawing	EZ

Boiler	kW	Pressure	Elements	Voltage	Amp Draw	Control Voltage	Steam Flowrate (lbs/hr)	Feed Water Consumption (GPM)	Recommened Min. Feed Water Rate (gpm)
SSB85	84	15 50 100	4 x 18kw 1 x 12kw	380	128	240	256	0.51	1.52
				415	117	120			
				600	81	120			
SSB100	108	15 50 100	6 x 18kw	380	164	240	325	0.65	1.95
				415	150	120			
				480	130	104			

Boiler	Total Volume (gal)	Operating Volume (gal)	Dry Weight (LBS.)	Wet Weight (LBS.)	Shipping Weight (LBS.)	Steam Outlet Size (NPT)	Water Feed Inlet Size (NPT)	Drain Outlet Size (NPT)	Safety Valve Outlet Size (NPT)
SSB85	28	17.5	435	586	680	1" (15)	1/2"	1"	1-1/2" (15)
SSB100						3/4" (50&100)			1-1/4" (100)

Note: All weights do not include options. See option drawings for additional weights

NAME	DATE	SUSSMAN-AUTOMATIC CORPORATION 43-20 34TH STREET, LONG ISLAND CITY, NEW YORK 11101	
DRAWN EZ	9/29/20	TITLE: SSB85-100 Electric Steam Boiler, 15psi, 50psi. and 100psi, 380V, 415V, 480V, &600V, 3ph	
ENG APPR. X	X	SIZE	DWG. NO.
DIMENSIONS ARE IN INCHES TOLERANCES: (EXCEPT AS NOTED) FRACTIONAL ± 1/64 ANGULAR: ± 1°		B	SSB85-SSB100
		SCALE: 1:16 SHEET 2 OF 2	