

Rev.	Date	ECN	Desc.	Auth.
1	9/17/20	xxxx	Initial Drawing	E.Z

D

C

B

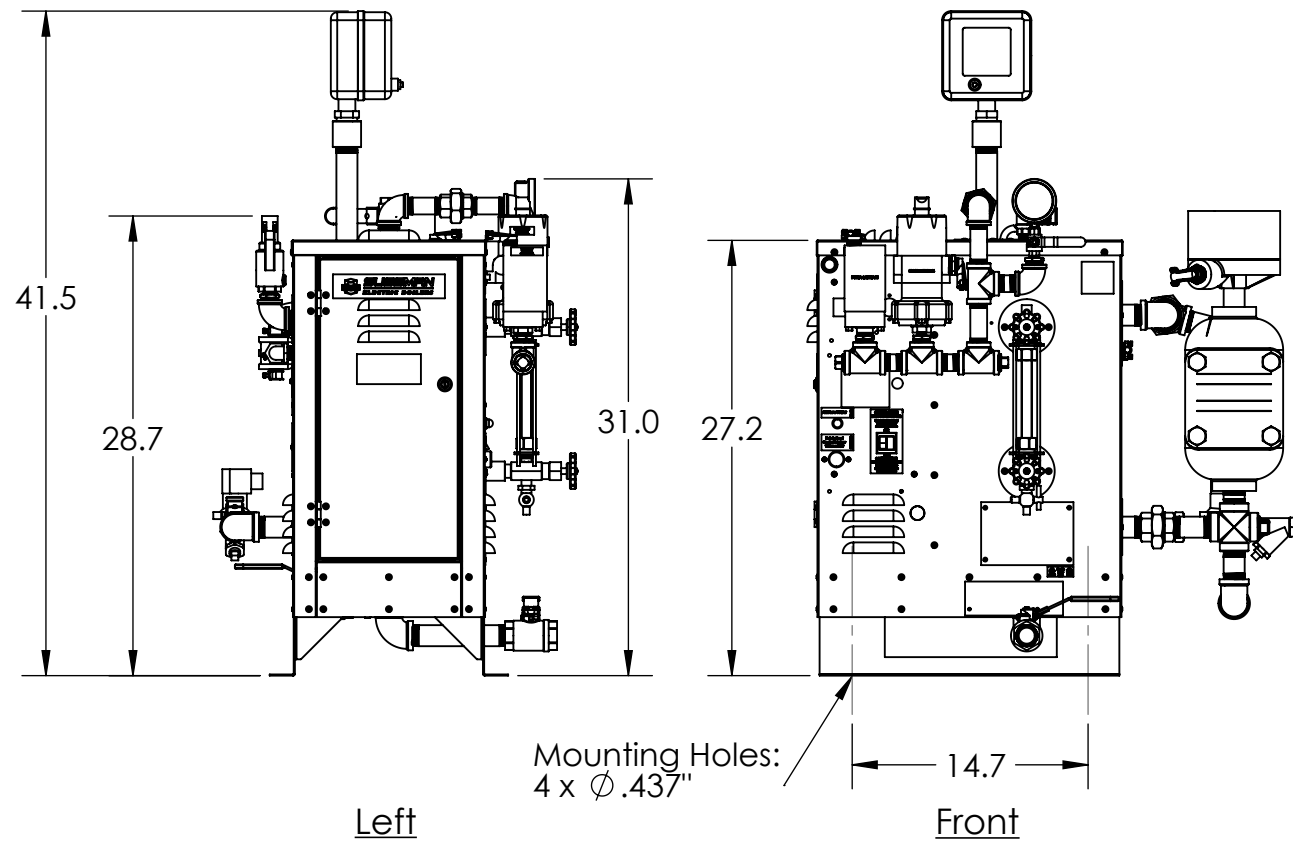
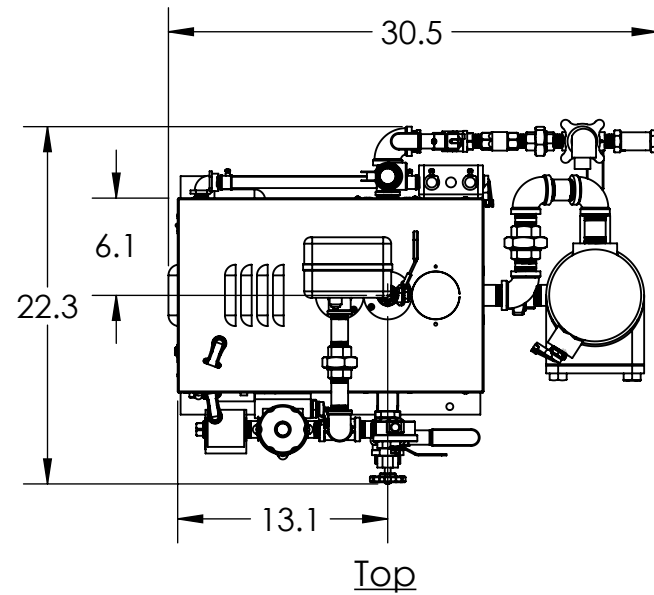
A

D

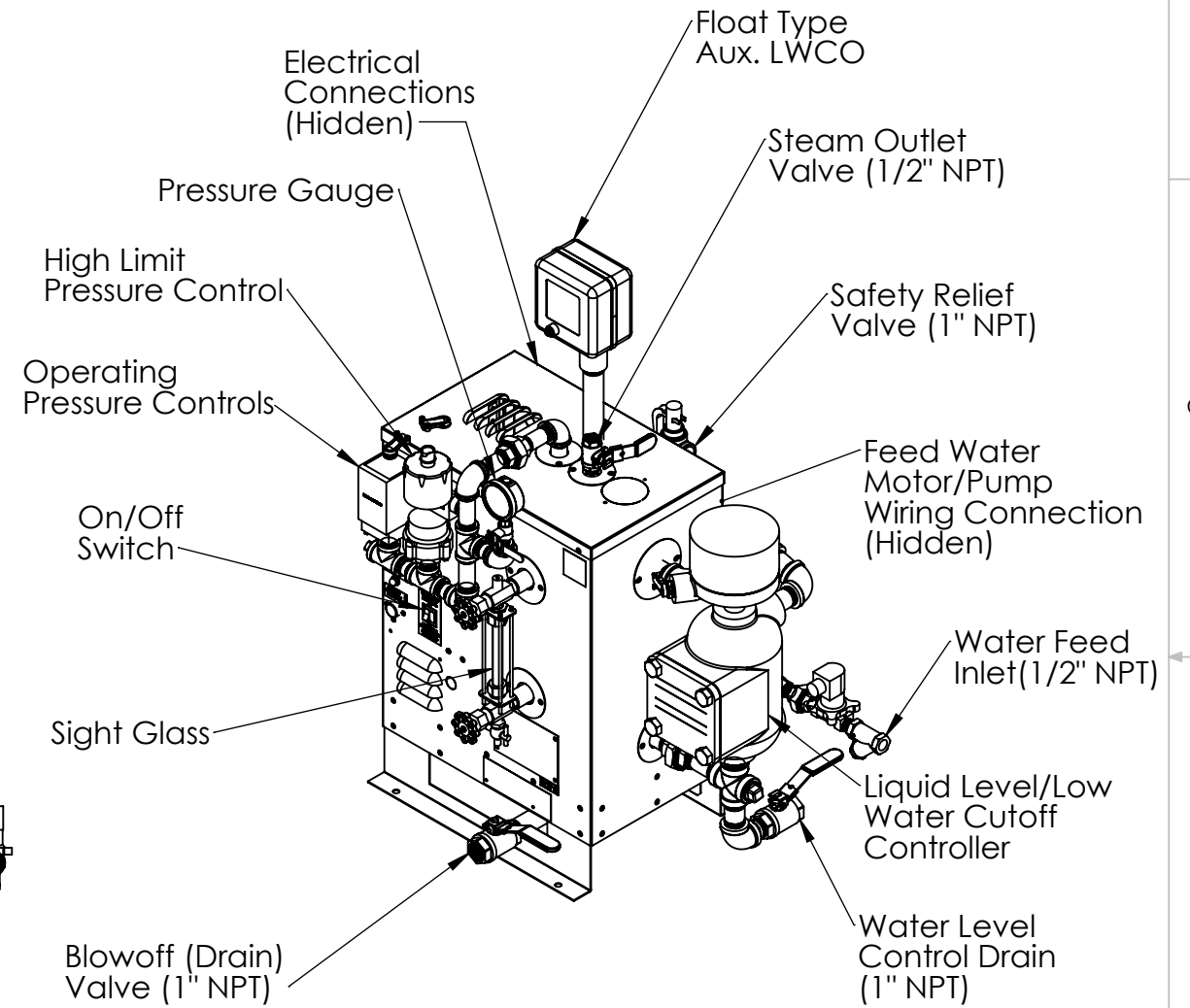
C

B

A



Mounting Holes:
4 x ϕ .437"



Notes:

- For SSB12 to SSB18, 15, 50, and 100psi trims, all voltages and phase
- Boiler is UL listed to standard 834
- Materials of construction:
 - Vessel and Piping: Stainless Steel
 - Jacket: Stainless Steel
- Pressure vessel built in accordance with ASME Section 1 and carries an "M" stamp
- Completed boiler is built in accordance with ASME Section 1 and carries an "E" Stamp
- Refer to Technical Data Sheet at www.sussmanboilers.com for more information

NAME	DATE	SUSSMAN-AUTOMATIC CORPORATION	
DRAWN EZ	9/17/20	43-20 34TH STREET, LONG ISLAND CITY, NEW YORK 11101	
ENG APPR. X	X	TITLE: SSB12-SSB18 Electric Steam Boiler, 15psi, 50psi, and 100psi	
DIMENSIONS ARE IN INCHES TOLERANCES: (EXCEPT AS NOTED) FRACTIONAL: \pm 1/64 ANGULAR: \pm 1°		SIZE	DWG. NO.
		B	SSB12-SSB18
		SCALE: 1:12	SHEET 1 OF 2

8

7

6

5

4

3

2

1

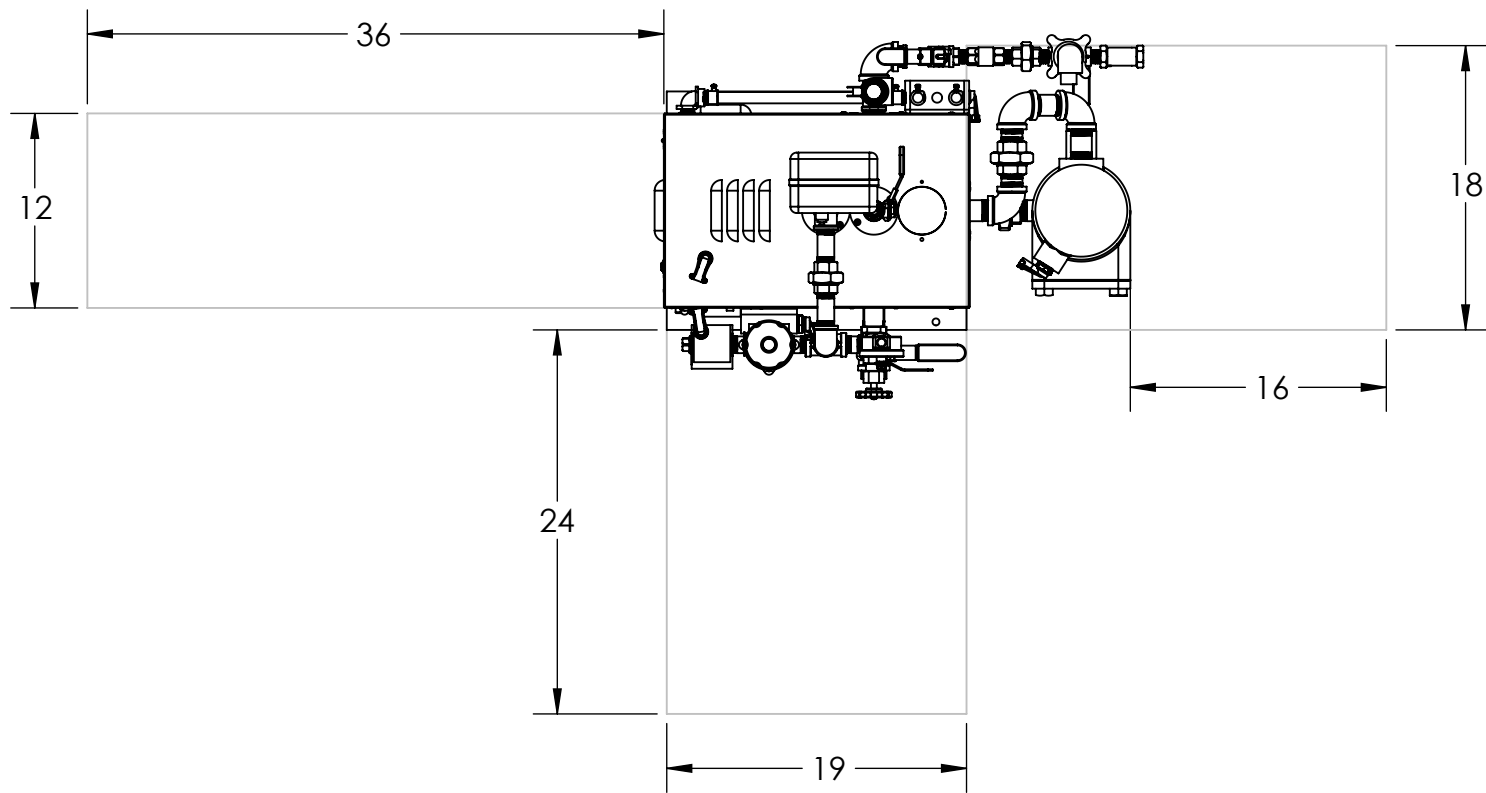
Service Clearance Requirements

D

C

B

A



- Notes:
1. Minimum 1" clearance to all combustible materials
 2. Service clearances to be in conformance to NEC requirements

Rev.	Date	ECN	Desc.	Auth.
1	9/17/20	xxxx	Initial Drawing	E.Z

Boiler	kW	Pressure	Elements	Voltage	Amp Draw		Control Voltage	Steam Flowrate (lbs/hr)	Feed Water Consumption	Reccomended Min. Feed Water
					1P	3P				
SSB12	12	15 50 100	1 x 12kw	208	58	33	120	36.2	0.072	0.217
				240	50	29				
				380	32	18	240			
				415	29	17				
				480	25	14	120			
600	20	12								
SSB18	18	15 50 100	1 x 18kw	208	87	50	120	54.2	0.108	0.325
				240	75	43				
				380	47	27	240			
				415	43	25				
				480	38	22	120			
600	30	17								

Boiler	Total Volume (gal)	Operating Volume (gal)	Dry Weight (LBS.)	Wet Weight (LBS.)	Shipping Weight (LBS.)	Outlet Size (NPT)	Water Feed Inlet Size (NPT)	Drain Outlet Size (NPT)	Safety Valve Outlet Size (NPT)
SSB12	6.1	3.82	152	184	230	1/2"	1/2"	1"	1"
SSB18									

Note: All weights do not include options. See option drawings for additional weights

NAME	DATE	SUSSMAN-AUTOMATIC CORPORATION 43-20 34TH STREET, LONG ISLAND CITY, NEW YORK 11101 TITLE: SSB12-SSB18 Electric Steam Boiler, 15psi, 50psi, and 100psi SIZE DWG. NO. B SSB12-SSB18 SCALE: 1:12 SHEET 2 OF 2
DRAWN	9/17/20	
ENG APPR.	X	

DIMENSIONS ARE IN INCHES
 TOLERANCES: (EXCEPT AS NOTED)
 FRACTIONAL ± 1/64
 ANGULAR: ± 1°

8 7 6 5 4 3 2 1

8 7 6 5 4 3 2 1