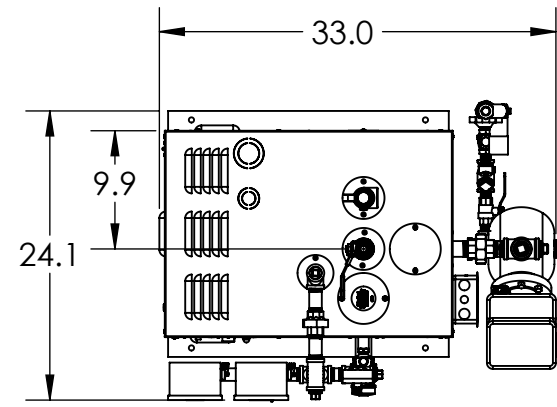
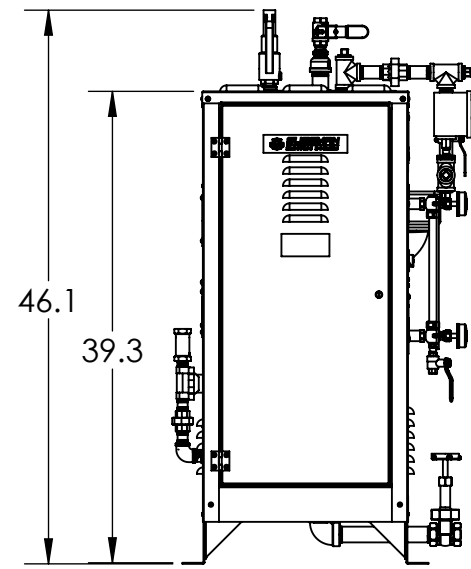


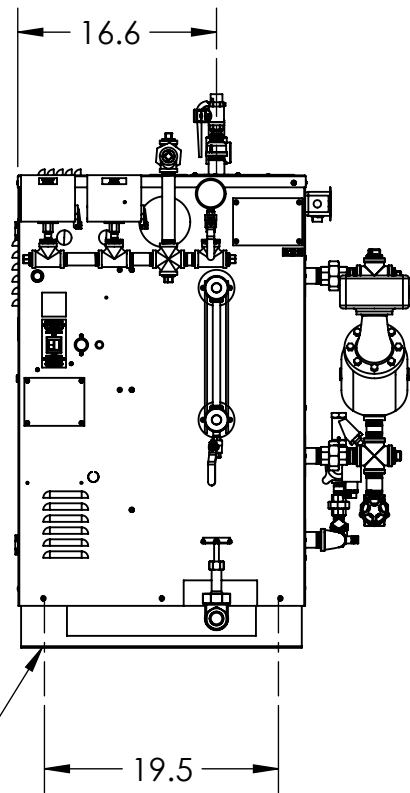
Rev.	Date	ECN	Desc.	Auth.
1	8/11/20	xxxx	Initial Drawing	EZ



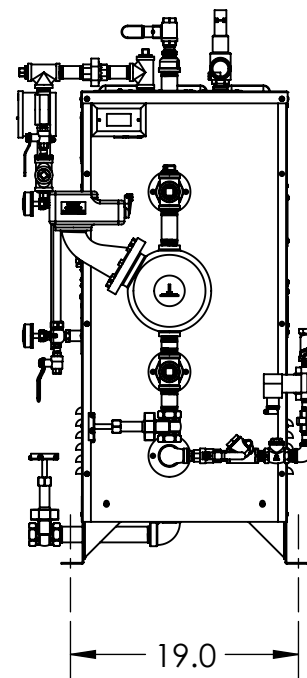
Top



Left

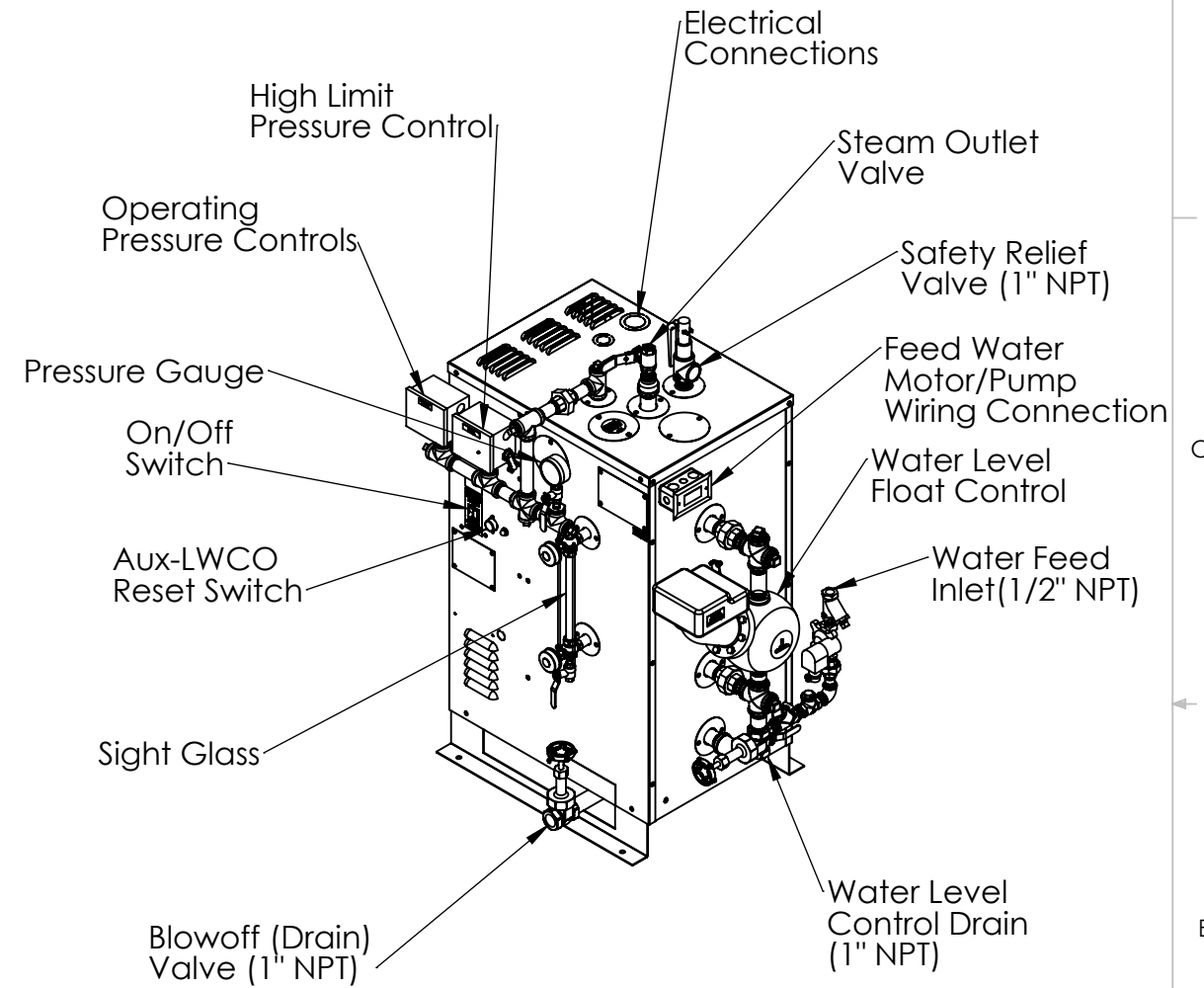


Front



Right

Mounting Holes:
4 x ϕ .437"



Notes:

- For ES72 208V/3 boilers, see Sheets 3 & 4 for dimensions and clearance requirements
- Boiler is UL listed to standard 834
- Materials of construction:
 - Vessel and Piping: Carbon Steel
 - Jacket: Stainless Steel
- Pressure vessel built in accordance with ASME Section 1 and carries an "S" stamp
- Completed boiler is built in accordance with ASME Section 1 and carries an "E" Stamp
- Refer to Technical Data Sheet at www.sussmanboilers.com for more information

	NAME	DATE	SUSSMAN-AUTOMATIC CORPORATION 43-20 34TH STREET, LONG ISLAND CITY, NEW YORK 11101	
DRAWN	EZ	8/11/20	TITLE: ES12-72 Electric Steam Boiler, 150psi	
ENG APPR.	X	X	SIZE	DWG. NO.
<small>DIMENSIONS ARE IN INCHES TOLERANCES: (EXCEPT AS NOTED) FRACTIONAL \pm 1/64 ANGULAR: \pm 1°</small>			B	ES12-ES72
			SCALE: 1:16	

Boiler	kW	Pressure	Elements	Voltage	Amp Draw	Control Voltage	Steam Flowrate (lbs/hr)	Feed Water Consumption (GPM)	Reccomended Min. Feed Water Rate (gpm)
ES12	12	150	1 x 12kw	208	58(1P) 33	120	36.2	0.072	0.217
				240	50(1P) 29				
				380	32(1P) 18	240			
				415	29(1P) 17				
				480	25(1P) 14	120			
600	20(1P) 12								
ES18	18	150	1 x 18kw	208	87(1P) 50	120	54.2	0.108	0.325
				240	75(1P) 43				
				380	47(1P) 27	240			
				415	43(1P) 25				
				480	38(1P) 22	120			
600	30(1P) 17								
ES24	24	150	2 x 12kw	208	115(1P) 67	120	72.3	0.145	0.434
				240	100(1P) 58				
				380	63(1P) 37	240			
				415	58(1P) 33				
				480	50(1P) 29	120			
600	40(1P) 23								
ES30	30	150	1 x 12kw 1 x 18kw	208	144(1P) 83	120	90.4	0.181	0.542
				240	125(1P) 72				
				380	79(1P) 46	240			
				415	72(1P) 42				
				480	63(1P) 36	120			
600	50(1P) 29								
ES36	36	150	2 x 18kw	208	173(1P) 100	120	108	0.216	0.648
				240	150(1P) 87				
				380	95(1P) 55	240			
				415	87(1P) 50				
				480	75(1P) 43	120			
600	60(1P) 35								
ES48	48	150	1 x 12kw 2 x 18kw	208	231(1P) 133	120	145	0.290	0.870
				240	200(1P) 116				
				380	127(1P) 73	240			
				415	116(1P) 67				
				480	100(1P) 58	120			
600	80(1P) 46								
ES60	60	150	2 x 12kw 2 x 18kw	208	167	120	181	0.362	1.086
				240	145				
				380	91	240			
				415	84				
				480	72	120			
600	58								
ES72	72	150	4 x 18kw	*208	*200	120	217	0.434	1.302
				240	173				
				380	109	240			
				415	100				
				480	87	120			
600	69								

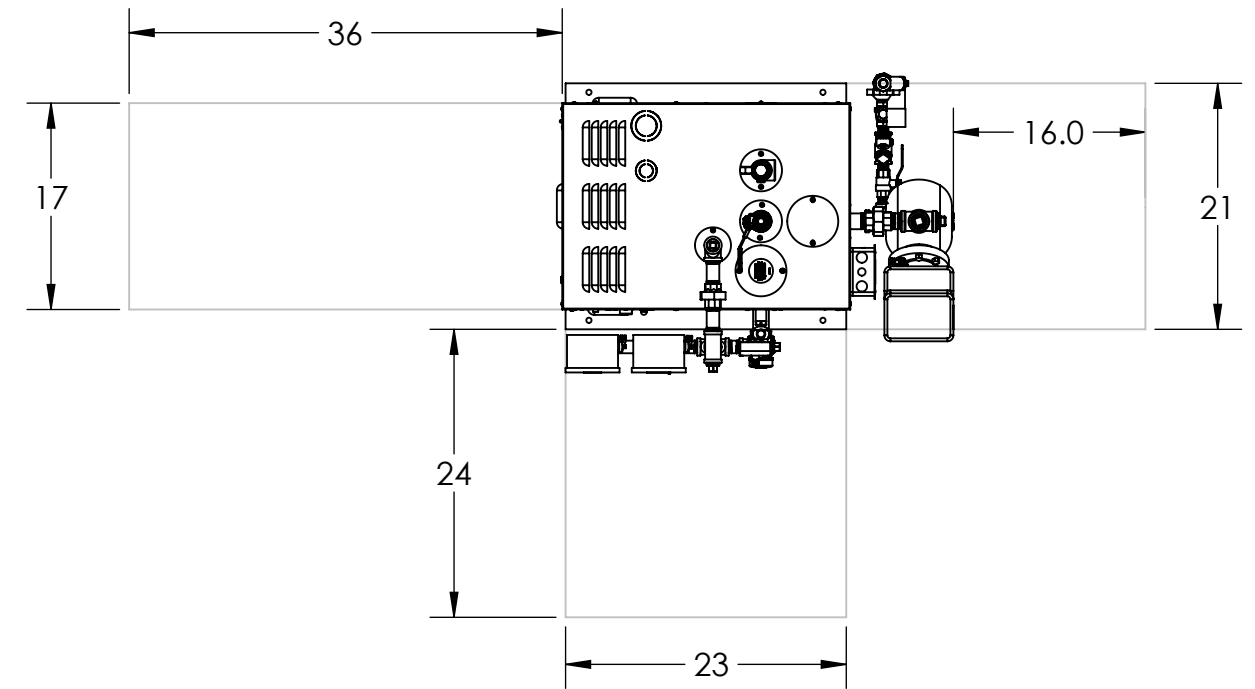
*See Sheets 3&4 for ES72150B3 for ES72, 208V, 3ph boiler

Boiler	Total Volume (gal)	Operating Volume (gal)	Dry Weight (LBS.)	Wet Weight (LBS.)	Shipping Weight (LBS.)	Steam Outlet Size (NPT)	Water Feed Inlet Size (NPT)	Drain Outlet Size (NPT)	Safety Valve Outlet Size (NPT)
ES12-ES72	14.3	8.96	263	338	310	1/2"	1/2"	1"	3/4"

Note: All weights do not include options. See option drawings for additional weights

Rev.	Date	ECN	Desc.	Auth.
1	8/11/20	xxxx	Initial Drawing	EZ

Service Clearance Requirements



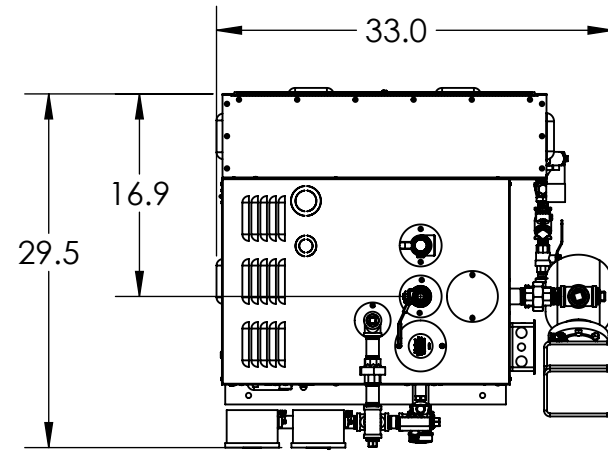
Notes:

- Minimum 1" clearance to all combustibile materials
- Service clearances to be in conformance to NEC requirements

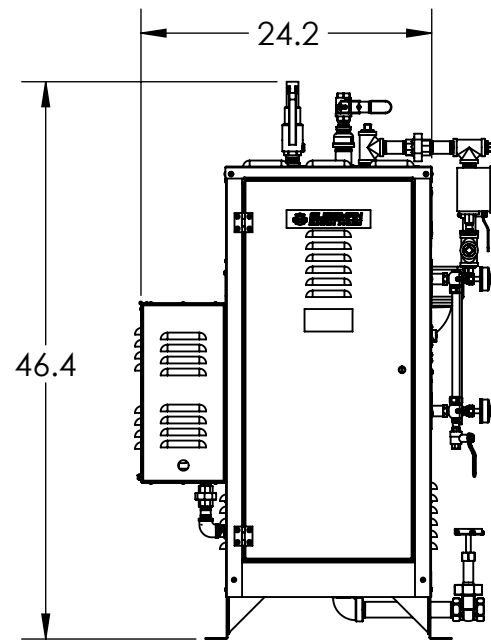
NAME	DATE	SUSSMAN-AUTOMATIC CORPORATION 43-20 34TH STREET, LONG ISLAND CITY, NEW YORK 11101
DRAWN EZ	8/11/20	
ENG APPR. X	X	
TITLE:		ES12-72 Electric Steam Boiler, 150psi
SIZE B	DWG. NO. ES12-ES72	
SCALE: 1:16		SHEET 2 OF 4

DIMENSIONS ARE IN INCHES
TOLERANCES: (EXCEPT AS NOTED)
FRACTIONAL: ± 1/64
ANGULAR: ± 1°

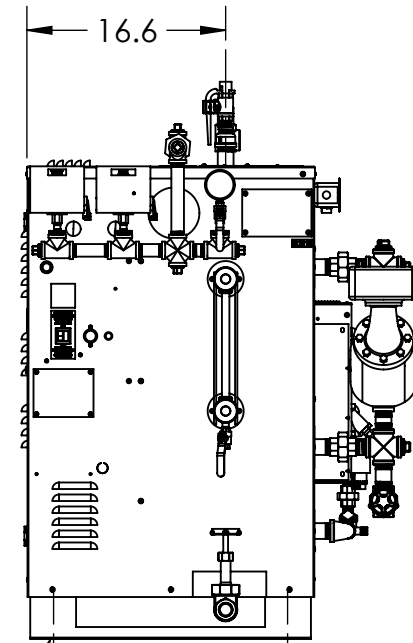
Rev.	Date	ECN	Desc.	Auth.
1	8/11/20	xxxx	Initial Drawing	EZ



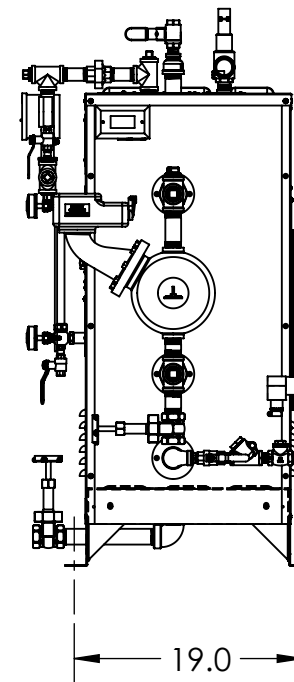
Top



Left

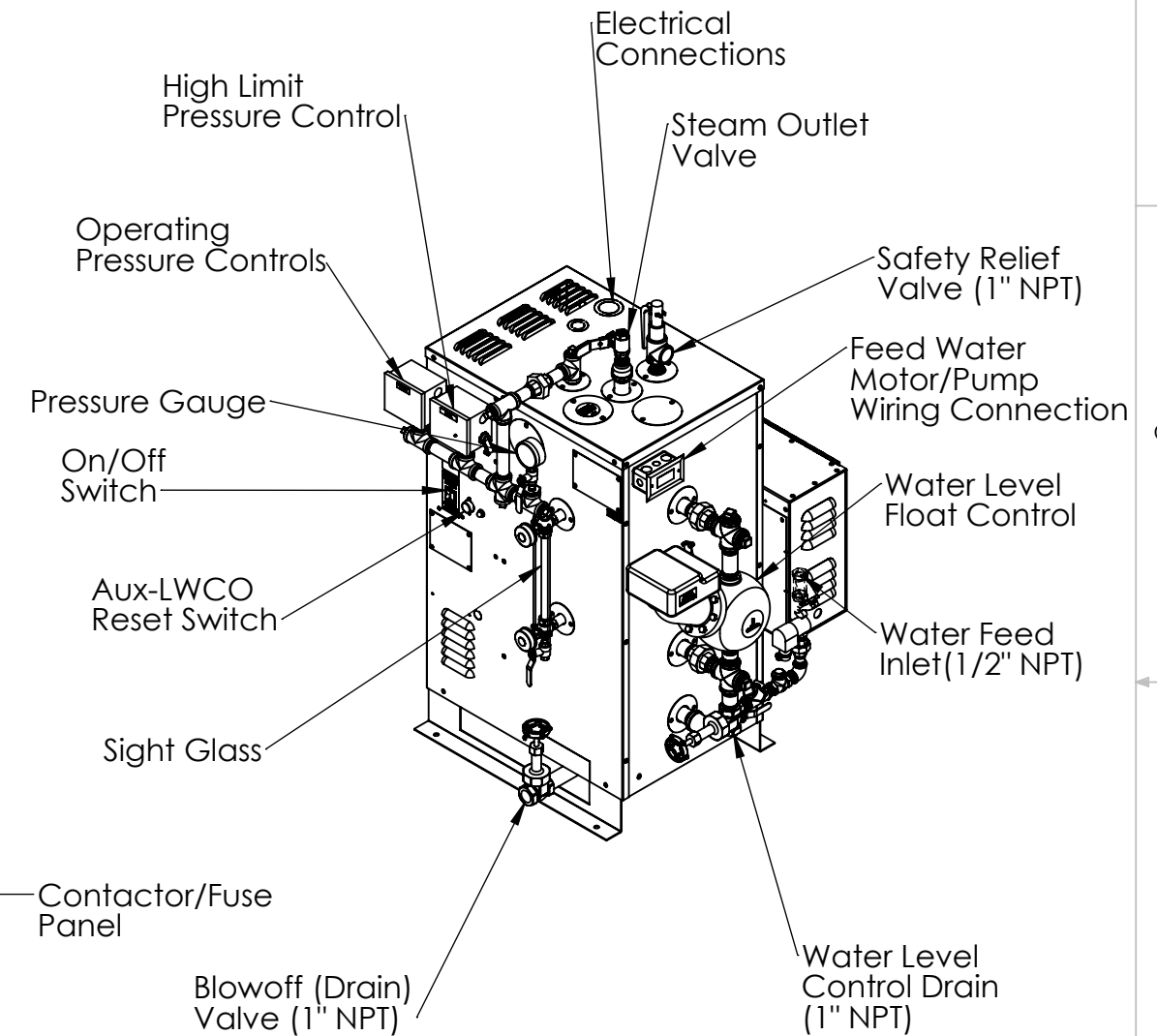


Front



Right

Mounting Holes:
4 x \varnothing .437"

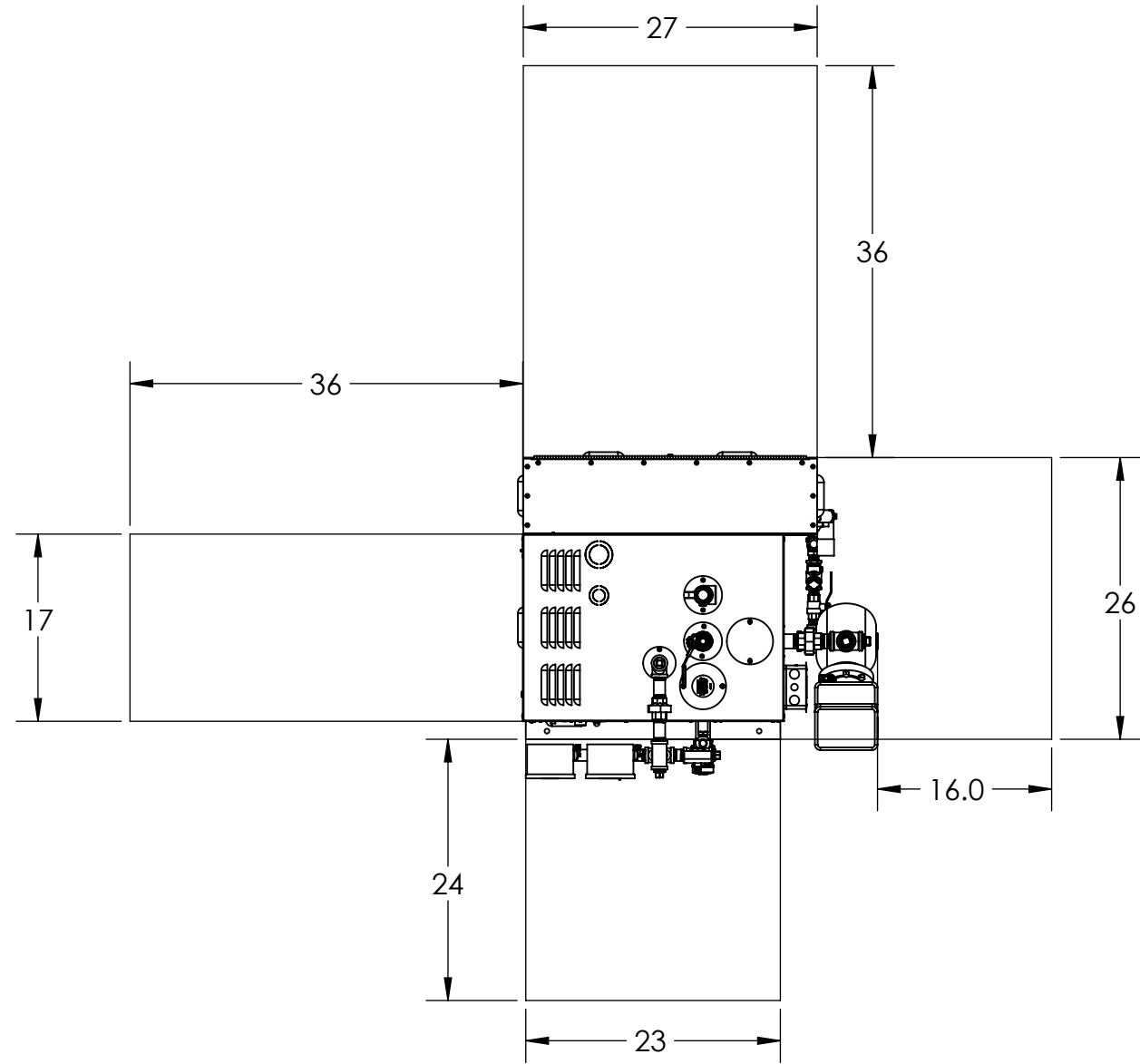


Notes:

- For ES72 208V/3 boilers only
- Boiler is UL listed to standard 834
- Materials of construction:
 - Vessel and Piping: Carbon Steel
 - Jacket: Stainless Steel
- Pressure vessel built in accordance with ASME Section 1 and carries an "S" stamp
- Completed boiler is built in accordance with ASME Section 1 and carries an "E" Stamp
- Refer to Technical Data Sheet at www.sussmanboilers.com for more information

NAME	DATE	SUSSMAN-AUTOMATIC CORPORATION 43-20 34TH STREET, LONG ISLAND CITY, NEW YORK 11101
DRAWN EZ	8/11/20	
ENG APPR. X	X	TITLE:
<small>DIMENSIONS ARE IN INCHES TOLERANCES: (EXCEPT AS NOTED) FRACTIONAL \pm 1/64 ANGULAR: \pm 1°</small>		ES72 Electric Steam Boiler, 150psi, 208V/3ph
		SIZE DWG. NO. B ES72150B3
SCALE: 1:16		SHEET 3 OF 4

Service Clearance Requirements



- Notes:
1. Minimum 1" clearance to all combustible materials
 2. Service clearances to be in conformance to NEC requirements

Rev.	Date	ECN	Desc.	Auth.
1	8/11/20	xxxx	Initial Drawing	EZ

Boiler	kW	Pressure	Elements	Voltage	Amp Draw	Control Voltage	Steam Flowrate (lbs/hr)	Feed Water Consumption (GPM)	Reccomended Min. Feed Water Rate (gpm)
ES72	72	150	4 x 18kw	208	200	120	217	0.434	1.302

Boiler	Total Volume (gal)	Operating Volume (gal)	Dry Weight (LBS.)	Wet Weight (LBS.)	Shipping Weight (LBS.)	Steam Outlet Size (NPT)	Water Feed Inlet Size (NPT)	Drain Outlet Size (NPT)	Safety Valve Outlet Size (NPT)
ES72	14.3	8.96	263	338	310	1/2"	1/2"	1"	3/4"

Note: All weights do not include options. See option drawings for additional weights

NAME	DATE	SUSSMAN-AUTOMATIC CORPORATION 43-20 34TH STREET, LONG ISLAND CITY, NEW YORK 11101	
DRAWN: EZ	8/11/20	TITLE: ES72 Electric Steam Boiler, 150psi, 208V/3ph	
ENG APPR. X	X	SIZE: B	DWG. NO.: ES72150B3
DIMENSIONS ARE IN INCHES TOLERANCES: (EXCEPT AS NOTED) FRACTIONAL ± 1/64 ANGULAR: ± 1°		SCALE: 1:16	SHEET 4 OF 4